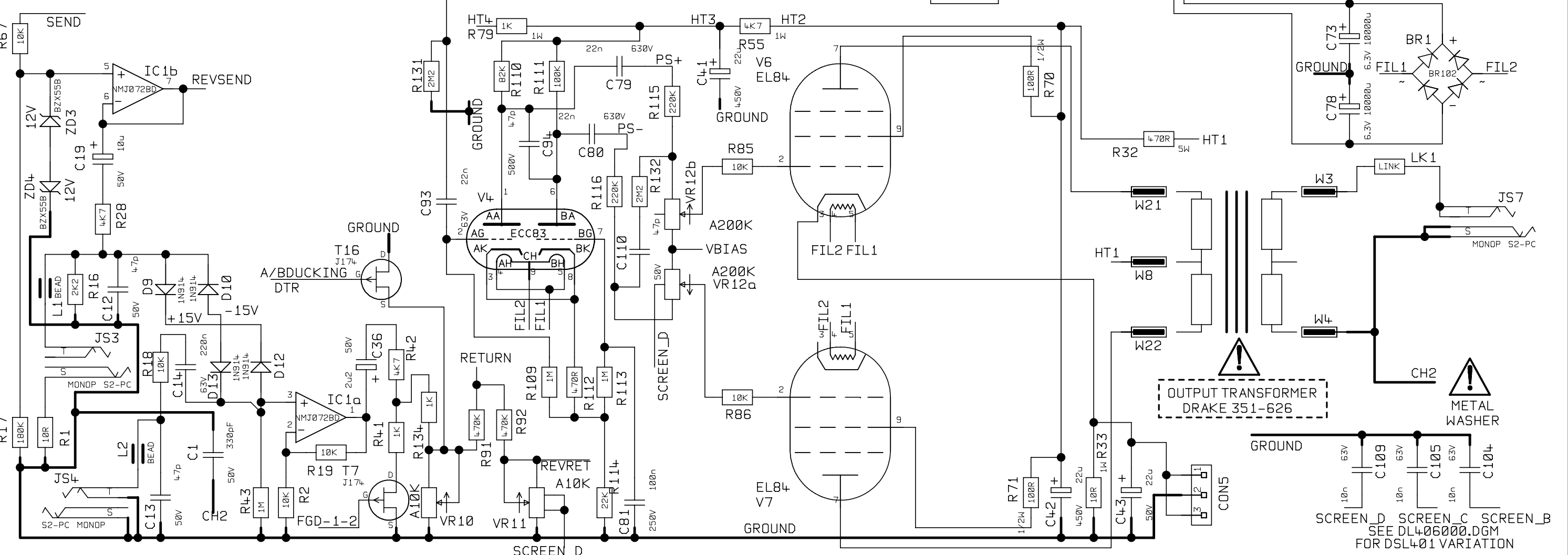
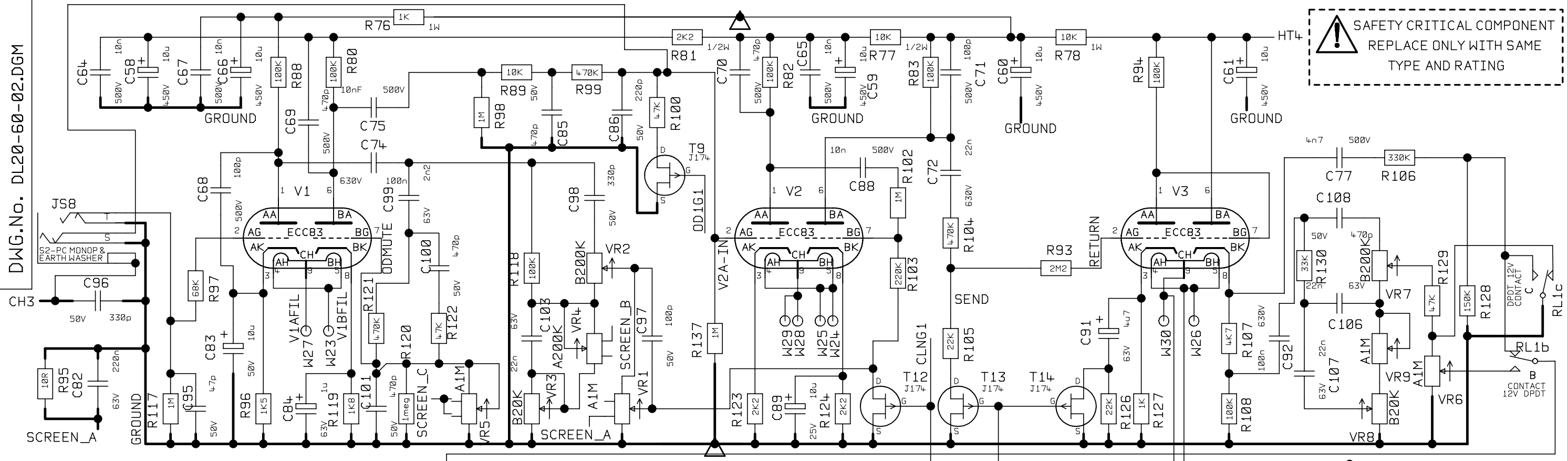


DWG.No. DL20-60-02.DGM



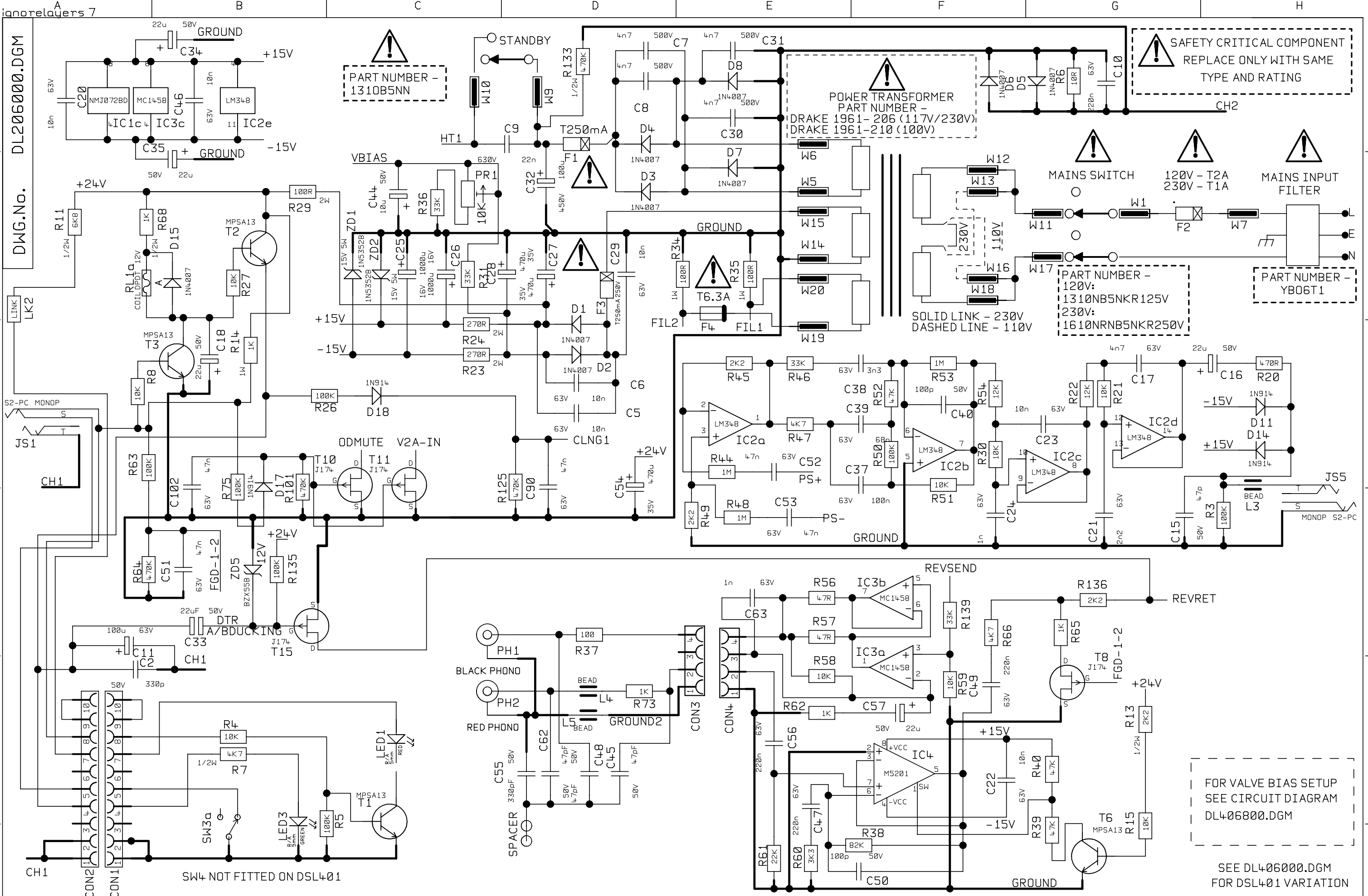
**SAFETY CRITICAL COMPONENT**  
REPLACE ONLY WITH SAME TYPE AND RATING


**OUTPUT TRANSFORMER**  
DRAKE 351-626

**METAL WASHER**

SCREEN\_D SCREEN\_C SCREEN\_B  
SEE DL406000.DGM  
FOR DSL401 VARIATION

5	1765	24/5/99	ALL OTHER HOLES =				X = (THROUGH PLATED)				MATERIAL THICKNESS		DIMENSIONS IN		<p>MARSHALL AMPLIFICATION PLC DENBIGH ROAD, BLETCHLEY, MILTON KEYNES, MK1 1DQ. TEL (01908) 375411 FAX (01908) 376118</p>	<p>TITLE DSL201 SCHEMATIC PAGE 1 OF 2</p> <p>DWG.No DL20-60-02.DGM</p> <p>ISS 5</p>
4	1712	23/10/98	A	F	J	N	DATE 24-6-97	TOLERANCE (UNLESS OTHERWISE STATED)		MODEL DSL201						
3	1706	1/10/98	B	F	K	P	CHECKED									
ISS	ECO NUMBER	DATE	C	G	L	Q	APPROVED									
			D	H	M	R										



5	1765	24/5/99	A	F	J	N	MATERIAL	DIMENSIONS IN	 <p>© MARSHALL AMPLIFICATION PLC DENBIGH ROAD, BLETCHLEY, MILTON KEYNES, MK1 1DQ. TEL (01908) 375411 FAX (01908) 376118</p>	TITLE	DSL201 SCHEMATIC		
4	1712	23/10/98	B	F	K	P	MATERIAL THICKNESS	TOLERANCE (UNLESS OTHERWISE STATED)		DWG.No	DL20-60-02.DGM	ISS	5
3	1706	1/10/98	C	G	L	Q	DRAWN	DATE		MODEL	DL201		
ISS	ECO NUMBER	DATE	D	H	M	R	CHECKED	DATE		APPROVED	DATE		

ALL OTHER HOLES = X = (THROUGH PLATED)

FOR VALVE BIAS SETUP  
SEE CIRCUIT DIAGRAM  
DL406800.DGM

SEE DL406000.DGM  
FOR DSL401 VARIATION